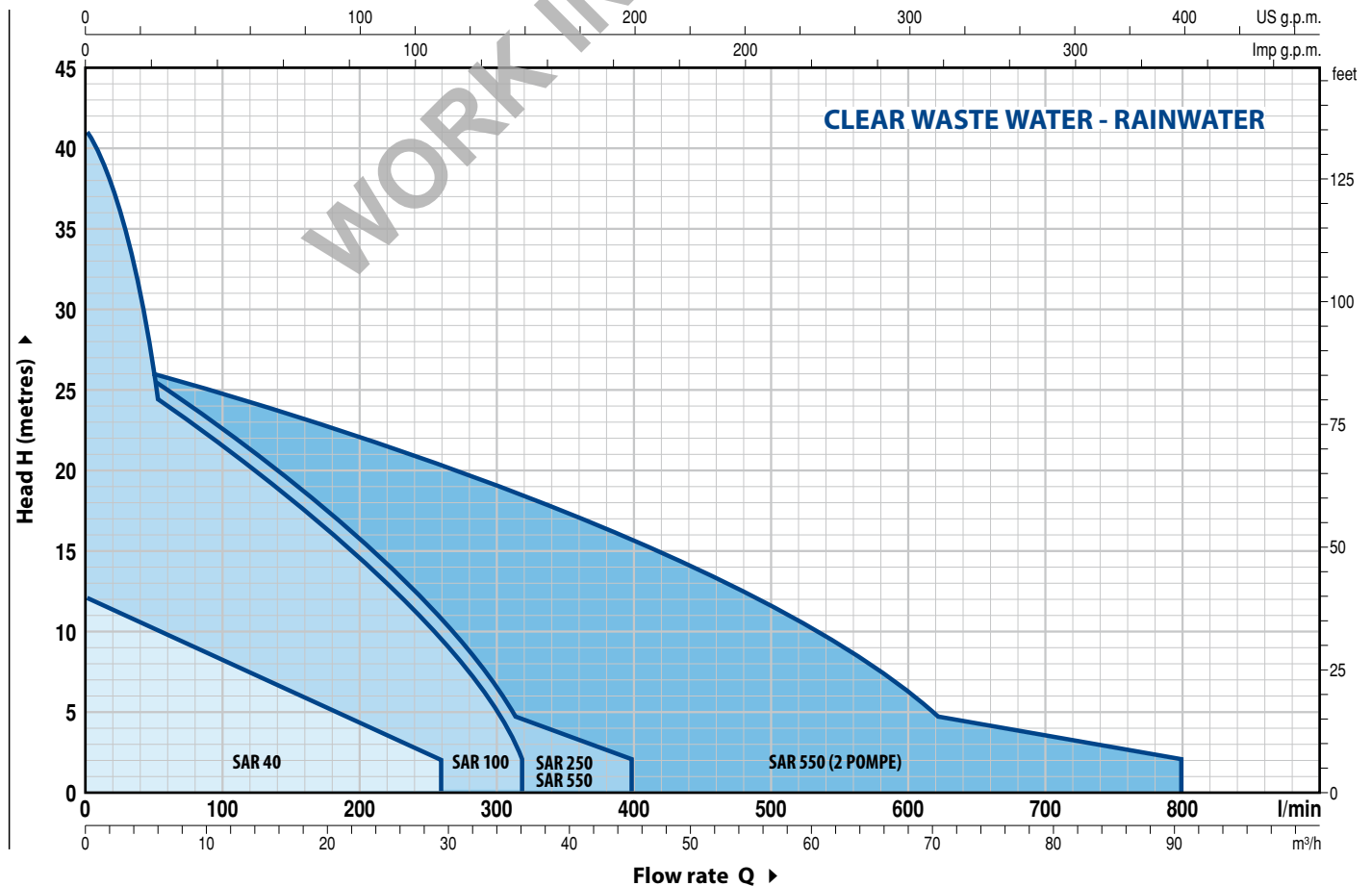
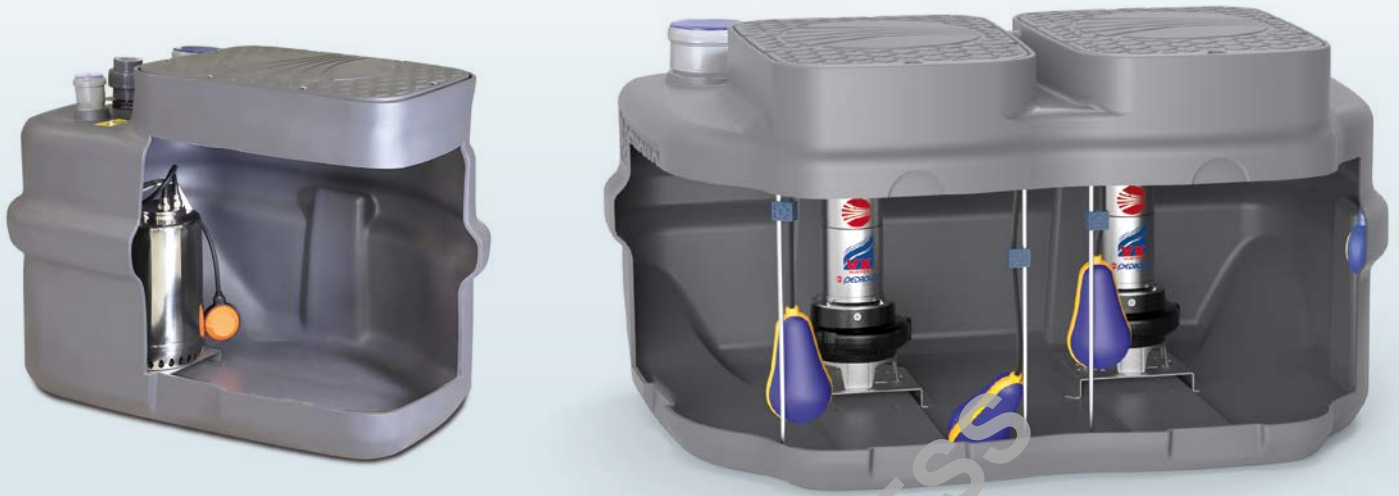




### PERFORMANCE RANGE

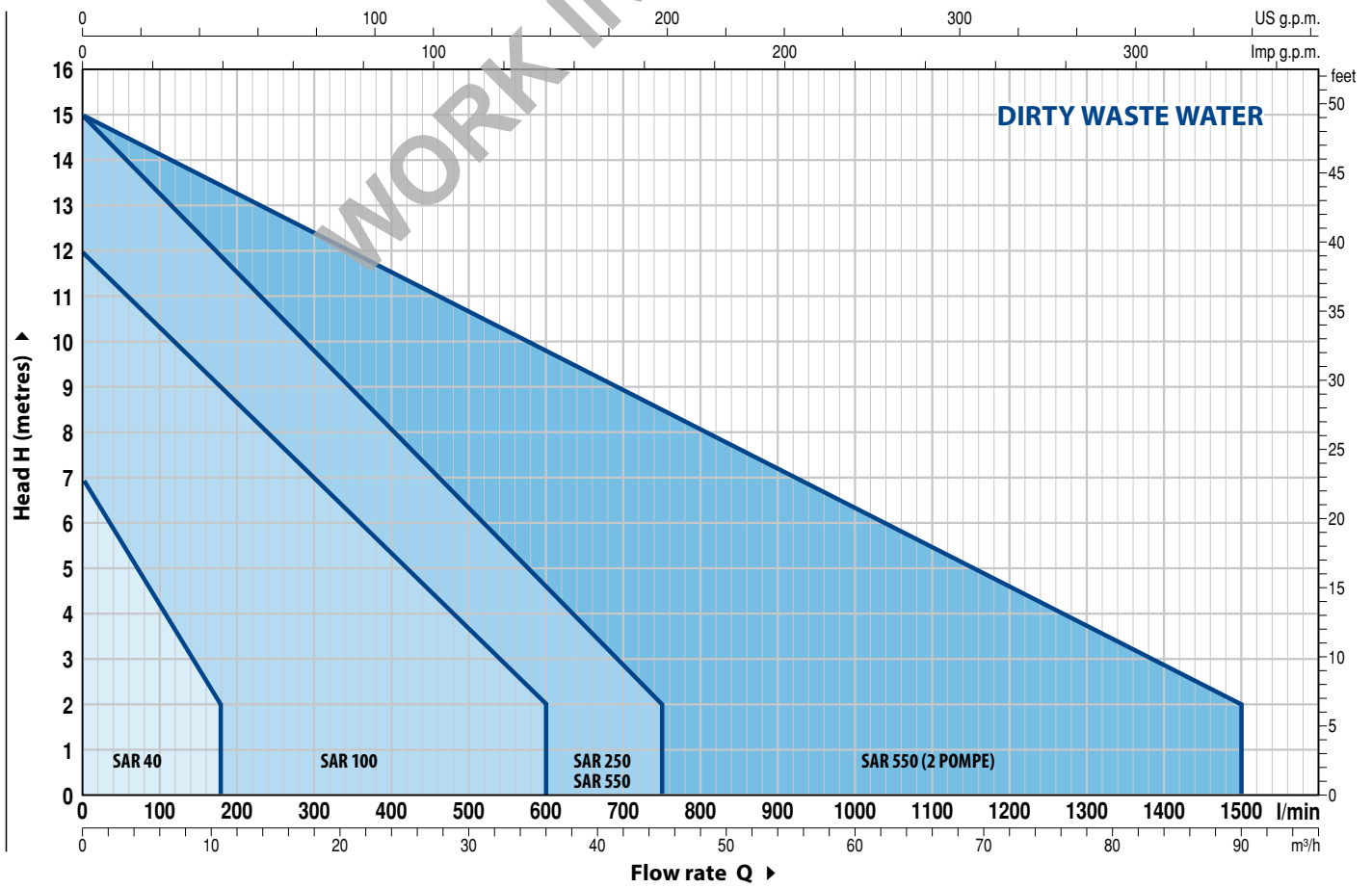
50 Hz n= 2900 1/min





**PERFORMANCE RANGE**

**50 Hz n= 2900 1/min**



## CLEAR WASTE WATER - RAINWATER

MODEL	POWER		TANK CAPACITY litres	MAXIMUM FLOW RATE l/min	MAXIMUM HEAD metres
	kW	HP			
SAR 40 - TOP 1	0.25	0.33	40	160	6
SAR 40 - TOP 2	0.37	0.50	40	220	8
SAR 40 - TOP 3	0.55	0.75	40	260	10
SAR 40 - RXm 1	0.25	0.33	40	160	6.5
SAR 40 - RXm 2	0.37	0.50	40	220	9.5
SAR 40 - RXm 3	0.55	0.75	40	220	11.5



## DIRTY WASTE WATER

MODEL	POWER		TANK CAPACITY litres	MAXIMUM FLOW RATE l/min	MAXIMUM HEAD metres
	kW	HP			
SAR 40 - TOP VORTEX	0.37	0.50	40	180	6.5
SAR 40 - RXm2/20	0.37	0.50	40	180	6.5

### COMPONENTS

- **40-litre** polyethylene tank with cover plate
- Pump with float switch
- Power cable: **5 metres standard issue** with Schuko plug  
(Standard EN 60335-2-41 states that the power cable must be 10 meters long for external use)
- Non-return valve
- Stazioni di accumulo con tubo di **ingresso** 1½" gas, di **uscita** 1¼" gas e di **sfiato** ½" gas

## CLEAR WASTE WATER - RAINWATER

MODEL	POWER		TANK CAPACITY litres	MAXIMUM FLOW RATE l/min	MAXIMUM HEAD metres
	kW	HP			
SAR 100 - TOP 2	0.37	0.50	100	220	8
SAR 100 - TOP 3	0.55	0.75	100	260	10
SAR 100 - TOP 4	0.75	1	100	320	12
SAR 100 - TOP MULTI 2	0.55	0.75	100	80	40
SAR 100 - TOP MULTI 3	0.55	0.75	100	120	32
SAR 100 - RXm 2	0.37	0.50	100	220	9.5
SAR 100 - RXm 3	0.55	0.75	100	220	11.5
SAR 100 - Dm 10-N	0.75	1	100	300	15.5
SAR 100 - Dm 20-N	0.75	1	100	250	20
SAR 100 - Dm 30-N	1.1	1.5	100	275	26



## DIRTY WASTE WATER

MODEL	POWER		TANK CAPACITY litres	MAXIMUM FLOW RATE l/min	MAXIMUM HEAD metres
	kW	HP			
SAR 100 - TOP-VORTEX	0.37	0.50	100	180	6.5
SAR 100 - RXm 2/20	0.37	0.50	100	180	6.5
SAR 100 - RXm 3/20	0.55	0.75	100	180	8
SAR 100 - ZXm 1A/40	0.60	0.85	100	400	10.5
SAR 100 - VXm 8/35-N	0.55	0.75	100	350	8
SAR 100 - VXm 10/35-N	0.75	1	100	400	10
SAR 100 - VXm 8/50-N	0.55	0.75	100	450	6
SAR 100 - VXm 10/50-N	0.75	1	100	550	8.5
SAR 100 - BCm 10/50-N	0.75	1	100	600	11

### COMPONENTS

- 100-litre polyethylene tank with cover plate
- Pump with float switch
- Power cable: **10 metres standard issue** with Schuko plug
- Lifting stations with **inlet pipe** Ø 110 mm, **discharge pipe** 1 ¼" o 1 ½" gas and **vent pipe** Ø 50 mm

## CLEAR WASTE WATER - RAINWATER

MODEL	POWER		TANK CAPACITY litres	MAXIMUM FLOW RATE l/min	MAXIMUM HEAD metres
	kW	HP			
SAR 250 - TOP 3	0.55	0.75	250	260	10
SAR 250 - TOP 4	0.75	1	250	320	12
SAR 250 - TOP 5	0.92	1.25	250	400	14
SAR 250 - RXm 3	0.55	0.75	250	220	11.5
SAR 250 - RXm 4	0.75	1	250	260	15
SAR 250 - RXm 5	1.1	1.5	250	300	19.5
SAR 250 - Dm 10-N	0.75	1	250	300	15.5
SAR 250 - Dm 20-N	0.75	1	250	250	20
SAR 250 - Dm 30-N	1.1	1.5	250	275	26



## DIRTY WASTE WATER

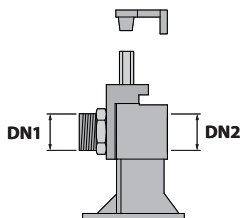
MODEL	POWER		TANK CAPACITY litres	MAXIMUM FLOW RATE l/min	MAXIMUM HEAD metres
	kW	HP			
SAR 250 - TOP-VORTEX	0.37	0.50	250	180	6.5
SAR 250 - RXm 3/20	0.55	0.75	250	180	8
SAR 250 - RXm 4/40	0.75	1	250	280	9.5
SAR 250 - RXm 5/40	1.1	1.5	250	380	12.5
SAR 250 - VXm 10/35-I	0.75	1	250	300	9.5
SAR 250 - VXm 10/50-I	0.75	1	250	400	7
SAR 250 - MCm 10/50-I	0.75	1	250	500	10.7
SAR 250 - VXm 10/35-N	0.75	1	250	400	10
SAR 250 - VXm 15/35-N	1.1	1.5	250	500	13.5
SAR 250 - VXm 10/50-N	0.75	1	250	550	8.5
SAR 250 - VXm 15/50-N	1.1	1.5	250	650	11
SAR 250 - BCm 10/50-N	0.75	1	250	600	11
SAR 250 - BCm 15/50-N	1.1	1.5	250	750	14

## COMPONENTS

- 250-litre polyethylene tank with cover plate
- Pump with float switch
- Power cable: **10 metres standard issue** with Schuko plug
- Lifting stations with **inlet pipe** Ø 110 mm, **discharge pipe** 1 ¼" o 1 ½" o 2" gas and **vent pipe** Ø 50 mm
- Lowering device (only for VX-I and MC-I versions)

## BASE PEDESTAL ELBOW (DUCT FOOT)

MODEL	PORTS	
	DN1	DN2
PA/1 (VX/35-I)	1½"	2"
PA/2 (VX/50-I and MC/50-I)	2"	



## OPTIONALS AVAILABLE ON REQUEST

### Alarm KIT

Kit includes:

- Float switch, Self-powered siren, Control box

### 300 mm extension kit

Kit includes:

- Extension kit for the installation of the polyethylene "SAR" tank at greater depths

### 300 mm extension kit for VX-I and MC-I versions

Kit includes:

- Extension kit for the installation of the polyethylene "SAR" tank at greater depths
- Longer lowering device

## CLEAR WASTE WATER - RAINWATER

MODEL	POWER		TANK CAPACITY litres	MAXIMUM FLOW RATE (1 pump) litri/min	MAXIMUM HEAD metres
	kW	HP			
SAR 550 - TOP4	0.75	1	550	320	12
SAR 550 - TOP5	0.92	1.25	550	400	14
SAR 550 - RXm4	0.75	1	550	260	15
SAR 550 - RXm5	1.1	1.5	550	300	19.5
SAR 550 - Dm10-N	0.75	1	550	300	15.5
SAR 550 - Dm20-N	0.75	1	550	250	20
SAR 550 - Dm30-N	1.1	1.5	550	275	26



## DIRTY WASTE WATER

MODEL	POWER		TANK CAPACITY litres	MAXIMUM FLOW RATE (1 pump) litri/min	MAXIMUM HEAD metres
	kW	HP			
SAR 550 - RXm 4/40	0.75	1	550	280	9.5
SAR 550 - RXm 5/40	1.1	1.5	550	380	12.5
SAR 550 - VXm 10/35-I	0.75	1	550	300	9.5
SAR 550 - VXm 10/50-I	0.75	1	550	400	7
SAR 550 - MCm10/50-I	0.75	1	550	500	10.7
SAR 550 - VXm 10/35-N	0.75	1	550	400	10
SAR 550 - VXm 15/35-N	1.1	1.5	550	500	13.5
SAR 550 - VXm 10/50-N	0.75	1	550	550	8.5
SAR 550 - VXm 15/50-N	1.1	1.5	550	650	11
SAR 550 - BCm 10/50-N	0.75	1	550	600	11
SAR 550 - BCm 15/50-N	1.1	1.5	550	750	14

### COMPONENTS

- 550-litre polyethylene tank with cover plate
- **Two single-phase pumps**
- Power cable: **10 metres standard issue** with Schuko plug
- Control panel
- Three float switches for: **1)** the alternate start-up of one of the two pumps, **2)** maximum level for starting-up the second pump, **3)** minimum level for switching the pumps off
- Lifting stations with **inlet pipe** Ø 110 mm, **discharge pipe** 1 ½" o 2" gas and **vent pipe** Ø 50 mm
- Lowering device (only for VX-I and MC-I versions)

### OPTIONALS AVAILABLE ON REQUEST

#### Alarm KIT

Kit includes:

- Float switch, Self-powered siren, Control box

#### 300 mm extension kit

Kit includes:

- Extension kit for the installation of the polyethylene "SAR" tank at greater depths

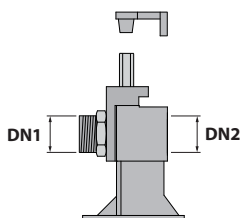
#### 300 mm extension kit for VX-I and MC-I versions

Kit includes:

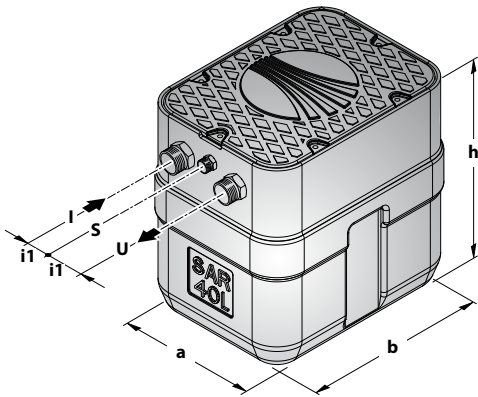
- Extension kit for the installation of the polyethylene "SAR" tank at greater depths
- Longer lowering device

### BASE PEDESTAL ELBOW (DUCT FOOT)

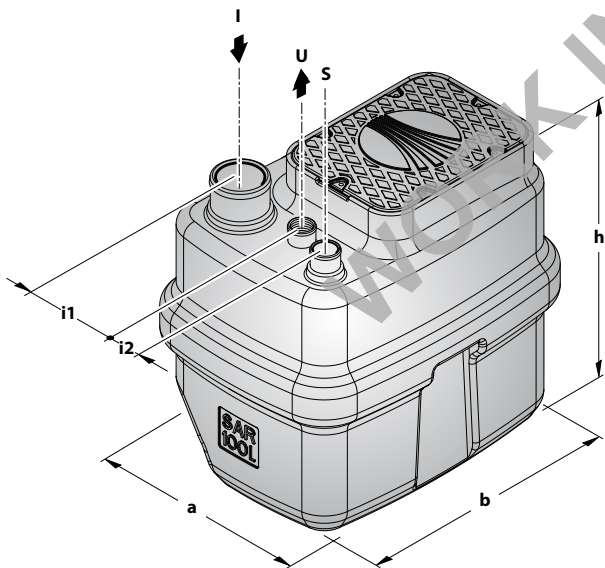
MODEL	PORTS	
	DN1	DN2
PA/1 (VX /35-I)	1 ½"	2"
PA/2 (VX /50-I and MC /50-I)	2"	



## DIMENSIONS AND WEIGHT



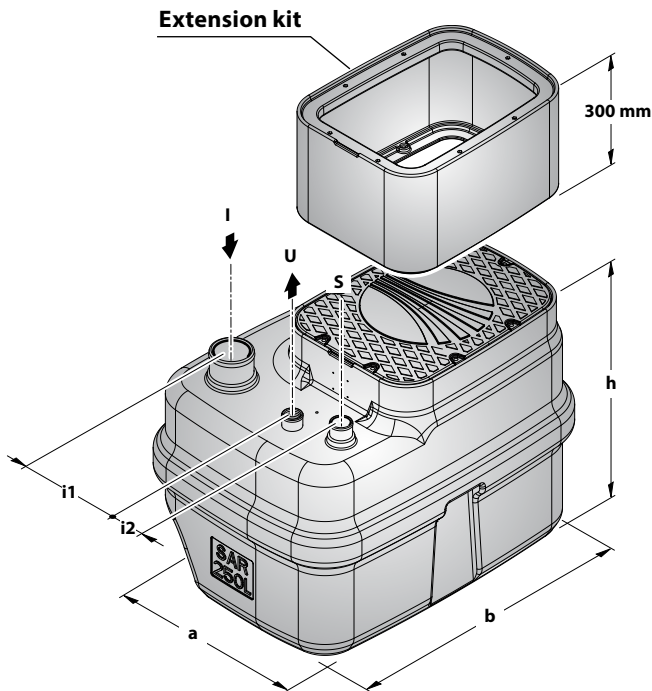
MODEL	PORTS			DIMENSIONS mm				kg
	I	U	S	a	b	h	i1	
SAR 40 - TOP1	1½"	1¼"	½"	310	410	410	60	14.0
SAR 40 - TOP2								14.7
SAR 40 - TOP3								16.1
SAR 40 - RXm1								14.2
SAR 40 - RXm2								15.3
SAR 40 - RXm3								16.9
SAR 40 - TOP-VORTEX								14.6
SAR 40 - RXm 2/20								15.6



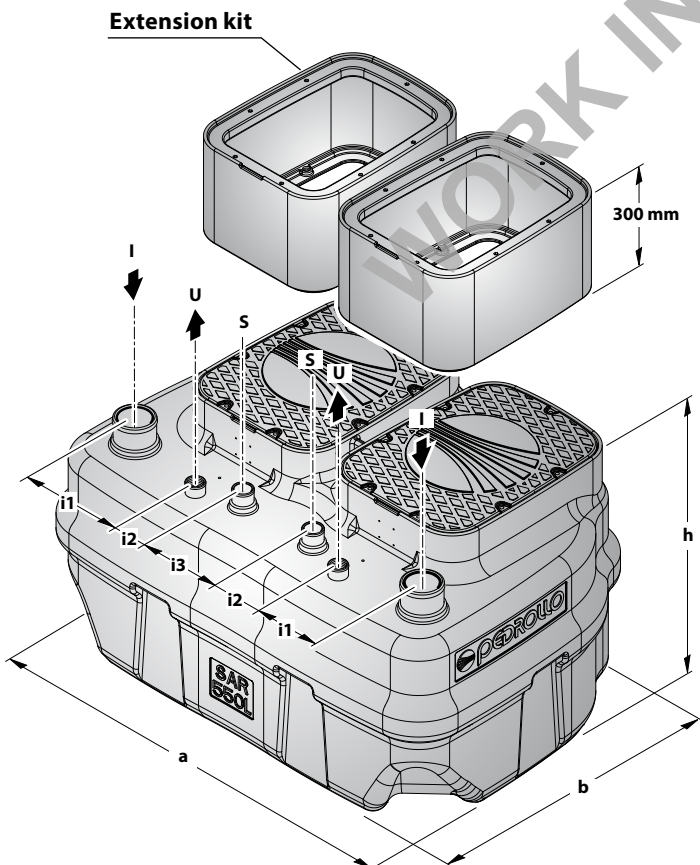
MODEL	PORTS			DIMENSIONS mm						kg
	I	U	S	a	b	h	i1	i2		
SAR 100 - TOP2	Ø 110 mm	1¼"	Ø 50 mm	500	690	645	145	100	28.7	
SAR 100 - TOP3		30.1								
SAR 100 - TOP4		1½"							33.6	
SAR 100 - TOP MULTI 2		1¼"							32.9	
SAR 100 - TOP MULTI 3									32.9	
SAR 100 - RXm2									29.3	
SAR 100 - RXm3		29.6								
SAR 100 - Dm10-N		1½"							36.2	
SAR 100 - Dm20-N		36.5								
SAR 100 - Dm30-N		38.5								
SAR 100 - TOP-VORTEX	28.6									
SAR 100 - RXm 2/20	1¼"	29.6								
SAR 100 - RXm 3/20	29.8									
SAR 100 - ZXm 1A/40	35.2									
SAR 100 - VXm 8/35-N	1½"	36.3								
SAR 100 - VXm 10/35-N	37.2									
SAR 100 - VXm 8/50-N	36.8									
SAR 100 - VXm 10/50-N	2"	37.8								
SAR 100 - BCm 10/50-N	37.7									



### DIMENSIONS AND WEIGHT



MODEL	PORTS			DIMENSIONS mm						kg
	I	U	S	a	b	h	i1	i2		
SAR 250 - TOP3		1¼"								42.6
SAR 250 - TOP4		1½"								46.1
SAR 250 - TOP5		1½"								47.1
SAR 250 - RXm3		1¼"								43.4
SAR 250 - RXm4										48.7
SAR 250 - RXm5		1½"								49.7
SAR 250 - Dm10-N										48.7
SAR 250 - Dm20-N										49.0
SAR 250 - Dm30-N										51.0
SAR 250 - TOP-VORTEX										41.1
SAR 250 - RXm 3/20	Ø 110 mm	1¼"	Ø 50 mm	700	970	715	250	130		43.8
SAR 250 - RXm 4/40		1½"							49.0	
SAR 250 - RXm 5/40		1½"								50.0
SAR 250 - VXm10/35-I										46.8
SAR 250 - VXm10/50-I		2"								46.6
SAR 250 - MCm10/50-I										46.9
SAR 250 - VXm 10/35-N		1½"								49.7
SAR 250 - VXm 15/35-N										51.7
SAR 250 - VXm 10/50-N										50.3
SAR 250 - VXm 15/50-N		2"								52.2
SAR 250 - BCm 10/50-N										50.2
SAR 250 - BCm 15/50-N										52.6



MODEL	PORTS			DIMENSIONS mm						kg
	I	U	S	a	b	h	i1	i2	i3	
SAR 550 - TOP4										93.2
SAR 550 - TOP5										95.2
SAR 550 - RXm4										98.4
SAR 550 - RXm5										100.4
SAR 550 - Dm10-N		1½"								98.4
SAR 550 - Dm20-N										99.0
SAR 550 - Dm30-N										103.0
SAR 550 - RXm 4/40										99.0
SAR 550 - RXm 5/40	Ø 110 mm		Ø 50 mm	1350	970	715	250	130	240	101.0
SAR 550 - VXm 10/35-I		2"								94.6
SAR 550 - VXm 10/50-I										94.2
SAR 550 - MCm10/50-I										94.8
SAR 550 - VXm 10/35-N		1½"								100.4
SAR 550 - VXm 15/35-N										104.4
SAR 550 - VXm 10/50-N										101.6
SAR 550 - VXm 15/50-N		2"								105.4
SAR 550 - BCm 10/50-N										101.4
SAR 550 - BCm 15/50-N										106.2